

## Heavy Duty incremental encoder

- ▶ Extremely robust housing for harsh environments
- ▶ 6 short-circuit protected outputs 1, 1̄, 2, 2̄, 0, 0̄
- ▶ IP 66, encapsulation class
- ▶ 5 Vdc or 9...30 Vdc
- ▶ Available with Advanced internal diagnostics, ADS



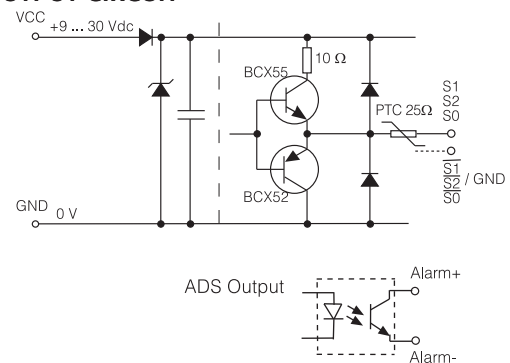
## ELECTRICAL SPECIFICATION

Supply voltage +EV	9-30V	5V ±10%
	Polarity protected	---
Current consumption at no load	60mA @ 24V Max 80mA	85mA Max 155mA
Line counts	100, 500, 1000, 1024, 2048, 2500, 3072, 4096, 5000, 8192, 10000	
Measuring steps	4 x Line counts	
Accuracy	1-5000ppr	5001-10000ppr
Dividing error	± 50° el	± 90° el
Channel separation	90° ± 25° el	90° ± 45° el
Outputs	High current HTL	RS-422
	Short circuit protected	
Load max	± 40mA	± 20mA
Max cable length	350m @ 100kHz	1km (TIA/EIA-422-B)
U <sub>high</sub> (at 40mA load)	> +EV - 4,0V	> 3,0V
U <sub>low</sub> (at 40mA load)	< 2,5V	< 1,15V
Frequency range	0...100kHz	0...200kHz
Option	Advanced Diagnostic System ADS	
Alarm output	Opto-coupler	
OK	Closed-circuit	V <sub>CE</sub> < 2V at 10mA
Error	Open-circuit	min 500ms
Voltage max	35V	
Current max	30mA	
PC communication	RS-232	Max 10m cable

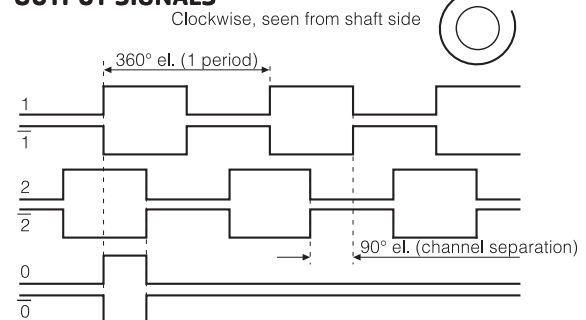
## ACCESSORIES

ADS PC software kit	Part. No. 01209084
Coupling 11-11 mm	Part. No. 46633333

## OUTPUT CIRCUIT



## OUTPUT SIGNALS



## CONNECTION

Function	Terminal	12 pin EML	Colour
+ E Volt	1	12	Red
0 Volt	2	10	Blue
0	3	3	Brown
0̄	4	4	Violet
1	5	8	Green
1̄	6	1	White
2	7	5	Yellow
2̄	8	6	Black
Alarm +	9	9	Grey
Alarm -	10	11	Pink
RXD	11	7	Grey / Pink
TXD	12	2	Red / Blue
Case			Shield

ADS outputs

