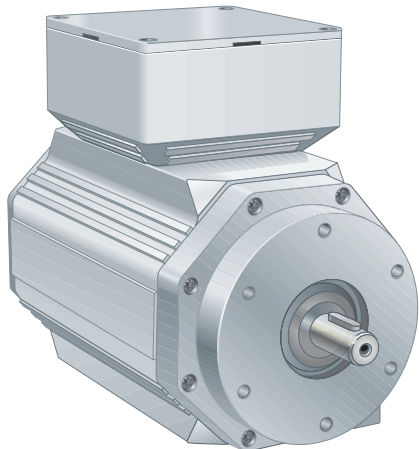


85, Euro-flange



91, Standard flange

Short description:

- >> Extreme resistance to mechanical loads, vibrations and shock
- >> High encapsulation level, IP 67, for use in harsh environments
- >> Electrical interfaces: HC-HTL, HTL, RS-422 and TTL
- >> Stainless steel options available on request

Suitable applications:

- >> Specially designed for heavy industries such as steel, crane and oil

General information

Encoder data		
Type	ESI 1503	
Operating temperature	-40 °C .. +70 °C	
Storage temperature	-30 °C .. +70 °C	
Ingress protection class	IP-67 according to IEC 60529	
At shaft inlet	IP-67 according to IEC 60529	
Vibration (55 to 2000 Hz)	< 300 m/s ² according to IEC 60068-2-6	
Shock (6 ms)	< 2000 m/s ² according to IEC 60068-2-27	
Cover material	Aluminium	
Cover surface treatment	Anodized	
Weight	Approx. 6900 g	
Accuracy and resolution		
Line count	1..5000 ppr	5001..10 000 ppr
Dividing error	± 50 °el	± 90 °el
Channel separation	90 ± 25 °el	90 ± 45 °el
Measuring steps	4 x Line count	

Flange option

Flange type	85, Euro-flange	91, Standard flange
Outer diameter	ø115 mm	ø100 mm
Mounting holes	6 x M6	6 x M6
Flange material	Aluminium	Aluminium
Surface treatment	Anodized	Anodized

Shaft option

Shaft type	Ø11 with key nut	Ø15 with key nut
Axial shaft load	1000 N	1000 N
Radial shaft load	260 N	680 N
Mech. permissible speed	4000 rpm	4000 rpm
Shaft material	Stainless steel	Stainless steel
Moment of inertia	0,32 x 10 ⁻⁶ kgm ²	0,32 x 10 ⁻⁶ kgm ²

Connection option

Connection	
Terminal, M25 cable gland for \varnothing 13-16 mm cable	
Connecting direction	
Axial or Radial	
Terminal	Function
1	+E Volt
2	0 Volt
3	S00
4	S00 inverted
5	S90
6	S90 inverted
7	Sref
8	Sref inverted
9	Status
10	Case

Accessories

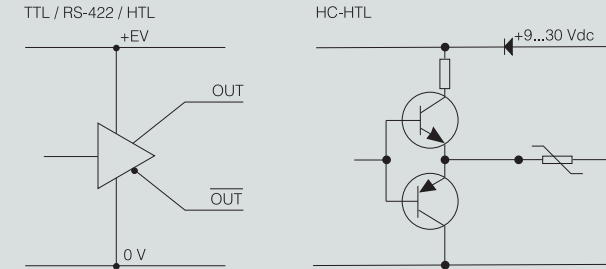
Base plate for mounting	680846-01
Shaft coupling 11-11 mm	46441P33P33
Shaft coupling 15-15 mm	46441P40P40
OptoLink Transmitter	01300320
OptoLink Receiver	01300330

Electrical option

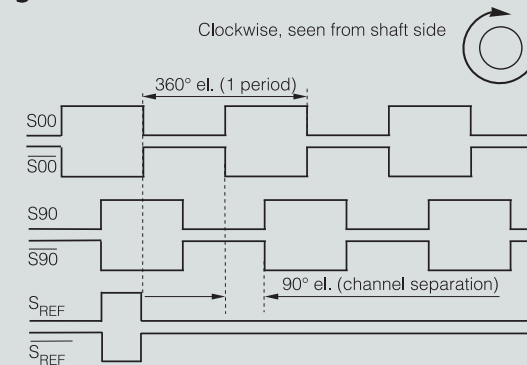
Power supply	5 Vdc \pm 10%	9-30 Vdc		
Polarity protected	No	Yes		
Output signals	TTL ¹	HTL	HC-HTL	RS-422
Short circuit protected	Yes	Yes	Yes	Yes
Current consumption	45 mA	50 mA at 24 Vdc	50 mA at 24 Vdc	25 mA at 24 Vdc
Max consumption	75 mA	75 mA	75 mA	40 mA
Output load (max)	\pm 20 mA	\pm 40 mA	\pm 40 mA	\pm 20 mA
Output frequency (max)	300 kHz	300 kHz	100 kHz	300 kHz
U_{high} at 10mA load	> 3.0 V	> +EV - 2.0 V	> +EV - 4.0 V	> 3.0 V
U_{low} at 10mA load	< 0.4 V	< 1.15 V	< 2.5 V	< 0.4 V
Cable length (max)	50 m	200 m @ 50 kHz	350 m @ 100kHz	1 km (TIA/EIA-422-B)
STATUS output	Yes	Yes	Yes	Yes
High level	Encoder OK	Encoder OK	Encoder OK	Encoder OK
Low level	Warning/Failure	Warning/Failure	Warning/Failure	Warning/Failure

¹TTL output comply to the RS-422 standard when differential transmission is used

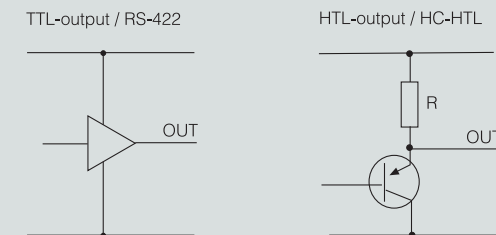
Output circuit



Output signals



Status outputs



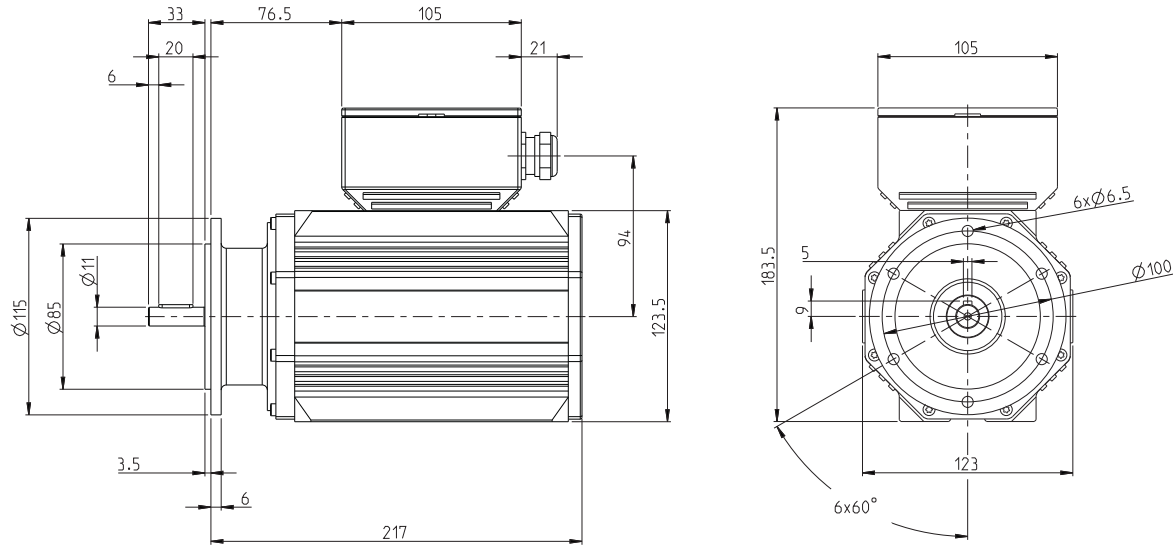
1503

Extreme Shaft encoder, Incremental

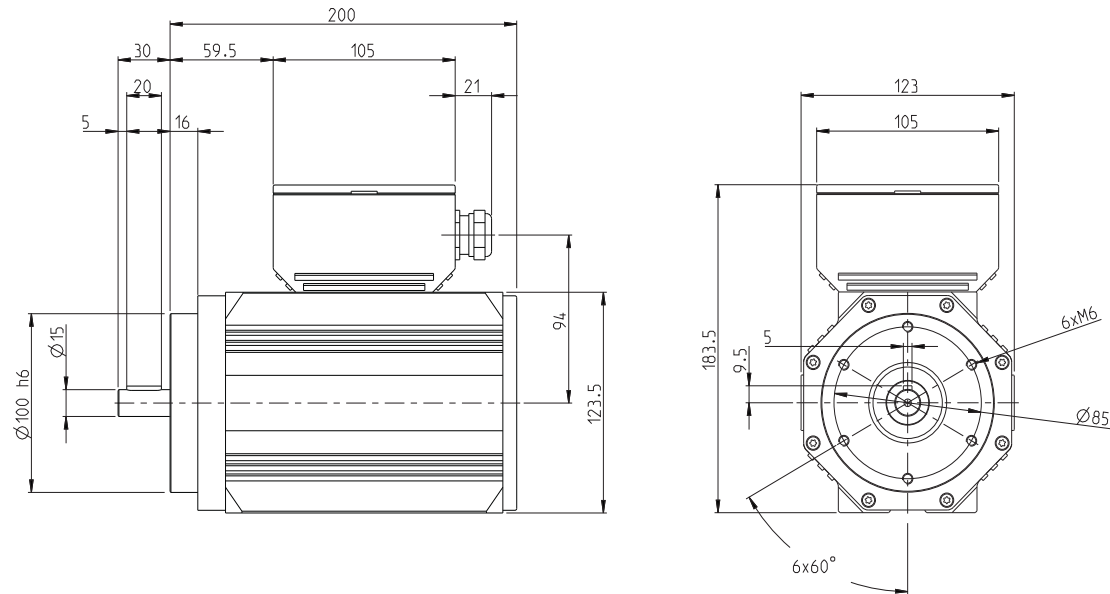
ESI

Dimensions

85, Euro-flange



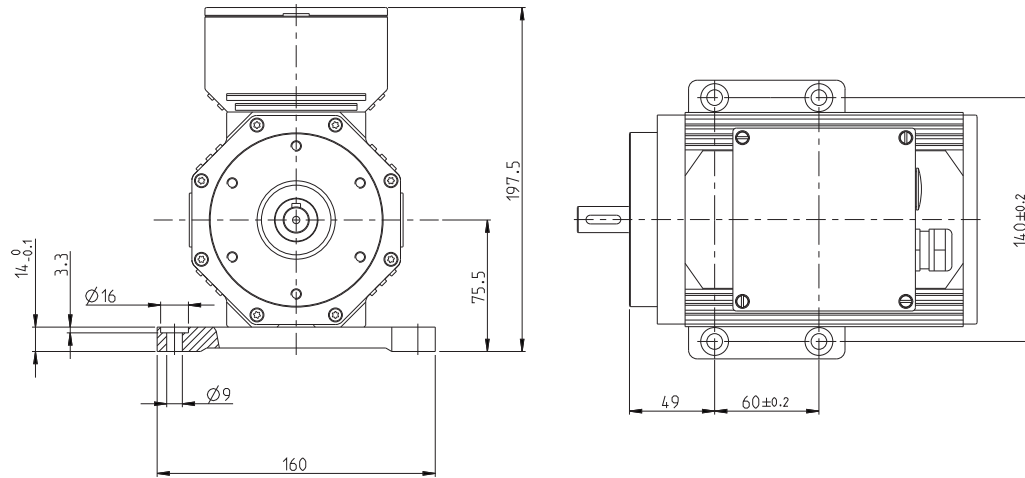
91, Standard flange



1503 — Extreme Shaft encoder, Incremental



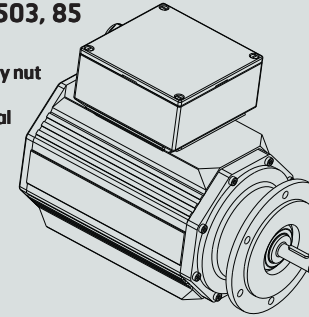
Mounted with base plate



Various combinations

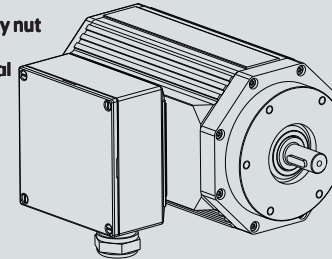
ESI 1503, 85

11 mm
with key nut
axial
terminal
box



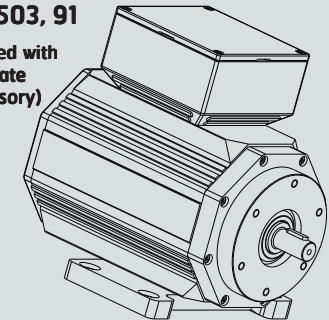
ESI 1503, 91

15 mm
with key nut
radial
terminal
box



ESI 1503, 91

Mounted with
base plate
(accessory)



Ordering information Tick your choice

Type	ESI 1503		
Flange ⁽¹⁾	85, Euro-flange	91, Standard flange	
Shaft ⁽¹⁾	Ø11 mm with key nut	Ø15 mm with key nut	
Electronics Supply	5 Vdc		
Output	TTL	HTL	RS-422 HC-HTL
Connection	Terminal		
Connecting direction	Axial	Radial	
Line count	1..5000	5001..10000	

⁽¹⁾ Possible combinations: Euro-flange / Ø11 mm shaft or Standard flange / Ø15 mm shaft

Ordering example: ESI 1503 91 Ø15 wk 9-30 Vdc HC-HTL Terminal Axial 1024 ppr