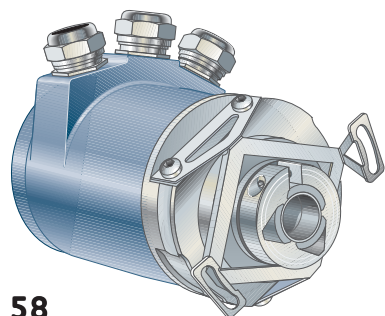
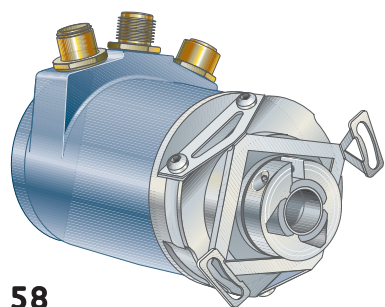


# 607/608 — Ruggedized Hollow shaft encoder, Absolute

PROFIBUS



58



58

## Short description:

- >> Profibus output
  - DPV0
  - DPV2
- >> IP 67 at housing, IP 64 at shaft inlet
- >> Support encoder profile 3.062 and 3.162
- >> Robust enclosure for harsh environments
- >> Shock and vibration protected

## Suitable applications:

- >> Automation industry
- >> Packaging machines
- >> Cranes
- >> Elevators

## General information

Encoder data		
Operating temperature	-40 °C .. +70 °C	
Ingress protection class	IP-67 according to IEC 60529	
At shaft inlet	IP-64 according to IEC 60529	
Vibration (55 to 2000 Hz)	< 100 m/s <sup>2</sup> according to IEC 60068-2-6	
Shock (6 ms)	< 1000 m/s <sup>2</sup> according to IEC 60068-2-27	
Cover material	Aluminium	
Weight	Approx. 400 g	
Accuracy and resolution		
Encoder type	RHA 607	RHA 608
Total resolution	13 Bit	25 Bit
Singleturn resolution	13 Bit	13 Bit (8192 absolute positions per revolution)
Multiturn resolution		12 Bit (4096 absolute number of revolutions)
Accuracy	± 1 LSB	

## Flange option

Flange type	58, HS
Type	Standard
Outer diameter	ø 58 mm
Flange material	Aluminium
Torque support	Stator coupling

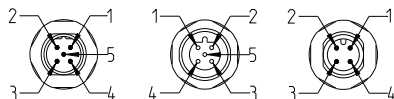
## Shaft option

Shaft type	Ø 12
Axial shaft load	10 N
Radial shaft load	20 N
Mech. permissible speed	6000 rpm
Shaft material	Stainless steel
Moment of inertia	4,3 x 10 <sup>-6</sup> kgm <sup>2</sup>



# 607/608 Ruggedized Hollow shaft encoder, Absolute

PROFIBUS



## Connection option

Connector type	Terminals Cable gland	5 pin M12 Male B-Coded	5 pin M12 Female B-coded	4 pin M12 Male A-coded
Function	Marking	PIN	PIN	PIN
A <sup>(1)</sup> (Bus in)	A	2	NA	NA
B <sup>(2)</sup> (Bus in)	B	4	NA	NA
A <sup>(1)</sup> (Bus out)	A	NA	2	NA
B <sup>(2)</sup> (Bus out)	B	NA	4	NA
+E Volt	+	NA	NA	1
0 Volt	-	NA	NA	3
Connecting direction				
Radial	Yes	Yes		

(1) A terminals are internally connected to each other

(2) B terminals are internally connected to each other

NA=Not available

## Electrical option

<b>Power supply</b>	<b>9-36 Vdc</b>
Polarity protected	Yes
<b>Output interface</b>	<b>Profibus DP</b>
Interface	RS-485
Supported profile	Profile 3.062 (DPV0) and 3.162 (DPV2)
Baud rate	Max. 12 Mbit/s
Node address	Settable via switches, 0...99
Code type	Binary
Supported functions	Class 2 for DPV0 Class 4 for DPV2 Preset, Scaling, Code sequence Isosynchronous mode (DPV2 only) Velocity (DPV0 and DPV2)
Current consumption	95mA @ 24 Vdc
Max current	150mA @ 24 Vdc

## Accessories

Configuration software	
<b>Profibus</b>	
GSD-files can be downloaded from <a href="http://www.leinelinde.com">www.leinelinde.com</a>	
Cables and connectors	
Profibus connection	Part number
Cable M12 5p M-F 5 m, B-coded Straight	584387-01
Cable M12 5p M-O 5 m, B-coded Straight	584398-01
Cable M12 5p F-O 5 m, B-coded Straight	584401-01
Connector M12 5p M, B-coded Straight	586281-01
Connector M12 5p F, B-coded Straight	586287-01
Terminating resistor M12 5p M, B-coded Straight	584217-01
T-junction M12 5p M-M-F, B-coded Straight	629025-01
Supply connection	
Cable M12 4p F-O 5 m, A-coded Straight	586238-01
Connector M12 4p F, A-coded Straight	586299-02

For additional accessories like torque support, torque arm etc. please advise separate datasheets for accessories.

## Ordering information

RHA 607	
549853-01	RHA 607 58 ø 12hs 9-36 Vdc SPB Cable Radial 13bit
549855-01	RHA 607 58 ø 12hs 9-36 Vdc SPB M12 Radial 13bit
RHA 608	
549856-01	RHA 608 58 ø 12hs 9-36 Vdc SPB Cable Radial 25bit
549857-01	RHA 608 58 ø 12hs 9-36 Vdc SPB M12 Radial 25bit



# 607/608

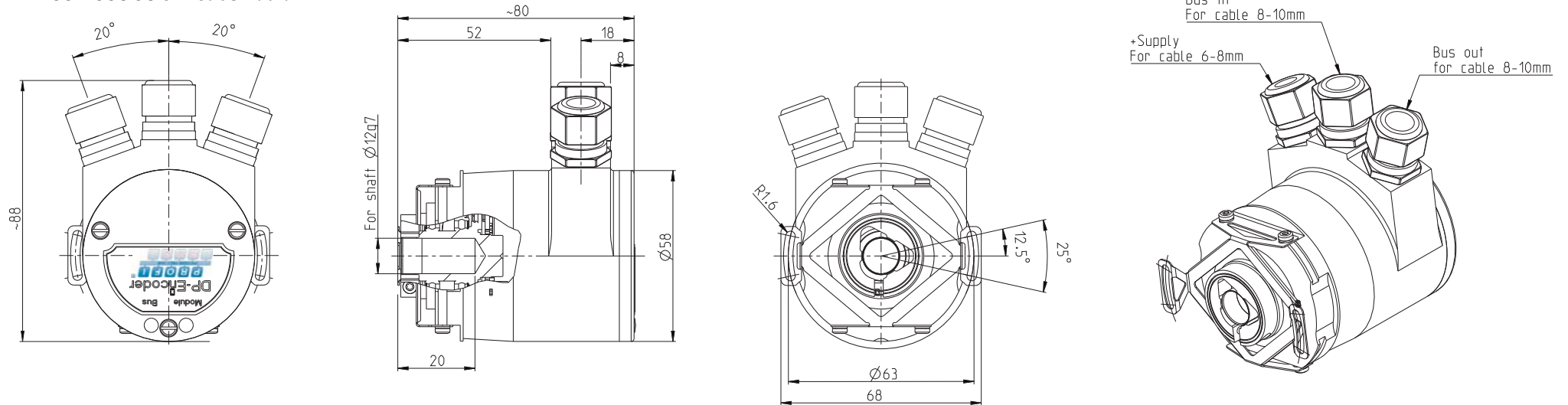
## Ruggedized Hollow shaft encoder, Absolute

PROFIBUS

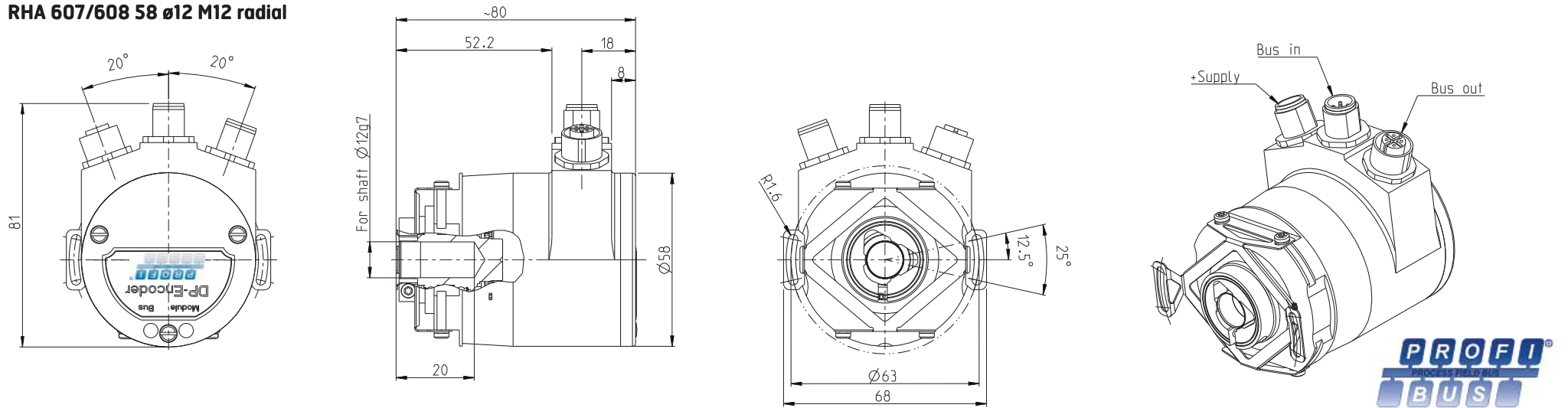


### Dimensions

#### RHA 607/608 58 ø12 cable radial



#### RHA 607/608 58 ø12 M12 radial



# 607/608 — Ruggedized Hollow shaft encoder, Absolute

PROFIBUS



**LEINE LINDE**

ISO 9001/ISO 14001 certified

Olivehällsvägen 8, SE-64542 Strängnäs, Sweden. Phone: +46 (0)152 26500. Fax: +46 (0)152 26505. E-mail: info@leinelinde.se

[www.leinelinde.com](http://www.leinelinde.com)