

58

Short description:

- >> 25 bit resolution
- >> IP 67 at housing, IP 64 at shaft inlet
- >> Robust housing for harsh environments
- >> Shock and vibration protected
- >> Pushbutton for preset available on request

Suitable applications:

- >> Standard and demanding industrial applications
- >> Positioning applications
- >> Printing machines
- >> Packaging machines

General information

Encoder data	
Operating temperature	-40 °C .. +70 °C
Ingress protection class	IP-67 according to IEC 60529
At shaft inlet	IP-64 according to IEC 60529
Vibration (55 to 2000 Hz)	< 150 m/s ² according to IEC 60068-2-6
Shock (6 ms)	< 1000 m/s ² according to IEC 60068-2-27
Cover material	Aluminium
Cover surface treatment	Passivated and coated
Weight	Approx. 300 g
Accuracy and resolution	
Encoder type	RHA 608
Total resolution	25 Bit
Singleturn resolution	13 Bit (8192 absolute positions per revolution)
Multiturn resolution	12 Bit (4096 absolute number of revolutions)
Accuracy	± 1 LSB
Incremental track Resolution	Sinusoidal 1 Vpp 512 ppr

Flange option

Flange type	58, Hollow shaft
Type	Standard
Outer diameter	ø 58 mm
Flange material	Aluminium
Torque support	Stator coupling

Shaft option

Hollow shaft type	Ø 12 mm
Axial shaft load	10 N
Radial shaft load	20 N
Mech. permissible speed	6000 rpm
Shaft material	Stainless steel
Moment of inertia	4,3 x 10 ⁻⁶ kgm ²



Connection option

Connector type	Cable	12 pin M23	17 pin M23
Function	Colour	PIN	PIN
RS-232 TXD	Blue/Red	1	1
Code Sequence	Yellow	2	2
STATUS	Green	3	3
RS-232 RXD	Grey/Pink	4	4
Preset 1	Black	5	5
Preset 2	Violet	6	6
+E Volt	Red	7	7
Clock	White	8	8
Clock\	Brown	9	9
0 Volt	Blue	10	10
B	White/Green	NA	12
B\	White/Yellow	NA	13
Data	Grey	11	14
A	Brown/Green	NA	15
A\	Brown/Yellow	NA	16
Data\	Pink	12	17
Connecting direction			
Radial			

NA= Not available

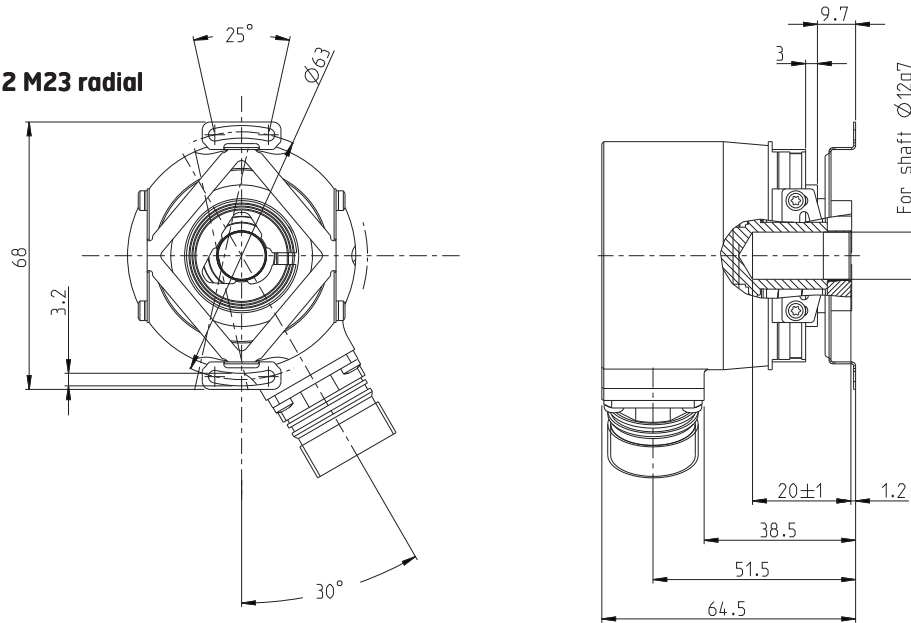
Electrical option

Power supply	9-36 Vdc	
Polarity protected	Yes	
Output Interface	SSI	
Current consumption	60 mA @ 24 Vdc	
Max. current consumption	90 mA @ 24 Vdc	
Data output	RS-485	
Clock input	RS-485	
Frequency range	100 kHz -1 MHz	
Cable length	Max. 100 m	
Code type	Gray, Binary (Standard or Tannenbaum)	
Programmable parameters	Preset, Code sequence, Code type, Dataformat, Scaling parameters	
STATUS signal		
High, OK	> +EV - 3 Vdc	
Low, Warning	< 0,4 Vdc	
Inputs	PRESET 1,2	Code Sequence
U _{high}	> +EV x 0,6	> +EV x 0,6
U _{low}	< +EV x 0,25	< +EV x 0,25
Active	High	High (CCW)
Not connected	Low	Low (CW)
Delay	1 ms	1 ms
PC communication for configuration	RS-232 (Max 10 m Cable)	

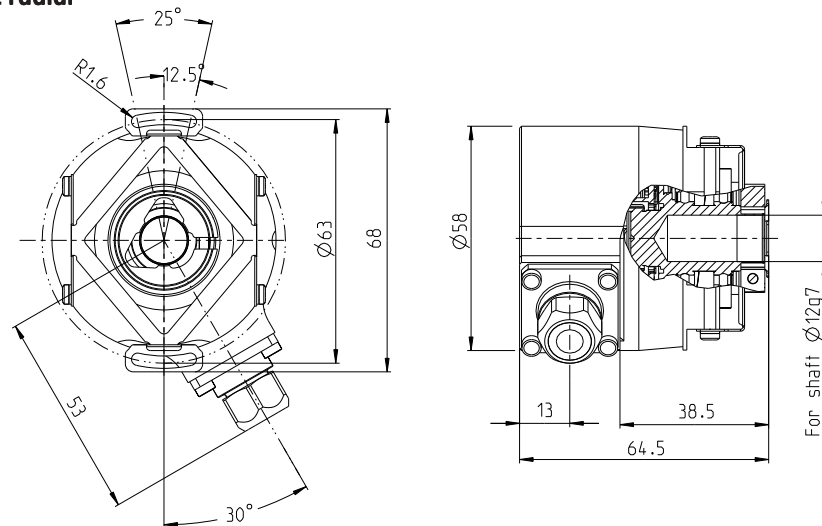


Dimensions

RHA 608 58 \varnothing 12 M23 radial



RHA 608 58 \varnothing 12 cable radial





Accessories

Programming accessories	Part number
PC programming software can be downloaded from www.leinelinde.com	
RS-232 Programming cable 12pin M23	728873-01
RS-232 Programming cable 17pin M23	728875-01
Cables and connectors	
Mating connector (12pM23)	01209096
Mating connector with assembled cable, free length (12pM23)	01209178
Mating connector (17pM23)	01209085
Mating connector with assembled cable 2 m (17pM23)	01210202
Mating connector with assembled cable, free length (17pM23)	01209092
Torque support M6	609451-01
Torque arm M6	01208014 ⁽¹⁾

⁽¹⁾ Length 70-1000 mm available, specify when ordering.

For additional accessories, please advise separate datasheet for accessories.

Ordering information

RHA 608	
721730-01	RHA 608 58 ø 12hs 9-36 Vdc SSP 12 pin M23 Radial 25 bit
576216-01	RHA 608 58 ø 12hs 9-36 Vdc SSP 17 pin M23 Radial 25 bit
721731-01	RHA 608 58 ø 12hs 9-36 Vdc SSP Cable 5m Radial 25 bit