

58

Short description:

- >> 25 bit resolution
- >> IP 67 at housing, IP 64 at shaft inlet
- >> Robust housing for harsh environments
- >> Additional incremental output

Suitable applications:

- >> Pitch control
- >> Standard and demanding industrial applications
- >> Positioning applications
- >> Packaging machines

General information

Encoder data	
Operating temperature	-40°C..+70°C
Ingress protection class	IP-67 according to IEC 60529
At shaft inlet	IP-64 according to IEC 60529
Vibration (55 to 2000 Hz)	< 150 m/s ² according to IEC 60068-2-6
Shock (6 ms)	< 1000 m/s ² according to IEC 60068-2-27
Cover material	Aluminium
Cover surface treatment	Passivated and coated
Weight	Approx. 300 g
Accuracy and resolution	
Encoder type	RHA 608
Total resolution	25 Bit
Singleturn resolution	13 Bit (8192 absolute positions per revolution)
Multiturn resolution	12 Bit (4096 absolute number of revolutions)
Accuracy	± 1 LSB
Incremental track	4 channel HTL or RS-422 output signals
Resolution	512, 1024 ppr

Flange option

Flange type	58, Hollow shaft
Type	Standard
Outer diameter	ø 58 mm
Flange material	Aluminium
Torque support	Stator coupling

Shaft option

Hollow shaft type	Ø 12 mm
Axial shaft load	10 N
Radial shaft load	20 N
Mech. permissible speed	6000 rpm
Shaft material	Stainless steel
Moment of inertia	4,3 x 10 ⁻⁶ kgm ²



Connection option

Connector type	Cable	17 pin M23
Function	Colour	PIN
Code sequence	Yellow	2
STATUS ⁽¹⁾	Green	3
Preset (Zero set)	Black	5
+E Volt	Red	7
Clock	White	8
Clock\	Brown	9
0 Volt	Blue	10
S90	White/Green	12
S90\	White/Yellow	13
Data	Grey	14
S00	Brown/Green	15
S00\	Brown/Yellow	16
Data\	Pink	17
Connecting direction		
Radial		

⁽¹⁾ Only applicable for absolute output signals

Electrical option

Power supply	9-30 Vdc	
Polarity protected	Yes	
Current consumption (Incremental signals unconnected)	65 mA @ 24 Vdc	
Max. current consumption (Incremental signals unconnected)	100 mA @ 24 Vdc	
Cable length	Max. 50 m	
Absolute output Interface	SSI	
Data output	RS-485	
Clock input	RS-485	
Frequency range	100 kHz -1 MHz	
Code type	Gray, Binary	
STATUS signal		
High, OK	> +EV - 3 Vdc	
Low, Warning	< 0,4 Vdc	
Incremental output	HTL	RS-422
Short circuit protected	Yes	Yes
Output load (max)	± 20 mA	± 20 mA
Output frequency (max)	50 kHz	50 kHz
Inputs	PRESET	Code sequence
U _{high}	> +EV x 0,6	> +EV x 0,6
U _{low}	< +EV x 0,25	< +EV x 0,25
Active	High	High (CCW)
Not connected	Low	Low (CW)
Delay	1 ms	1 ms

Accessories

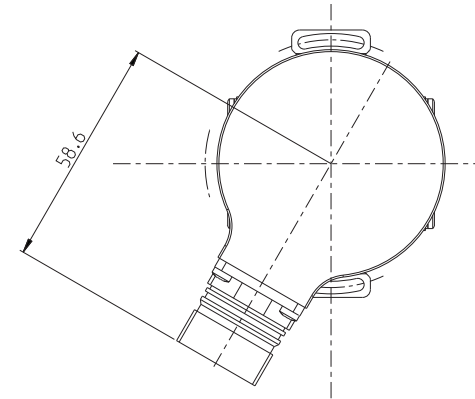
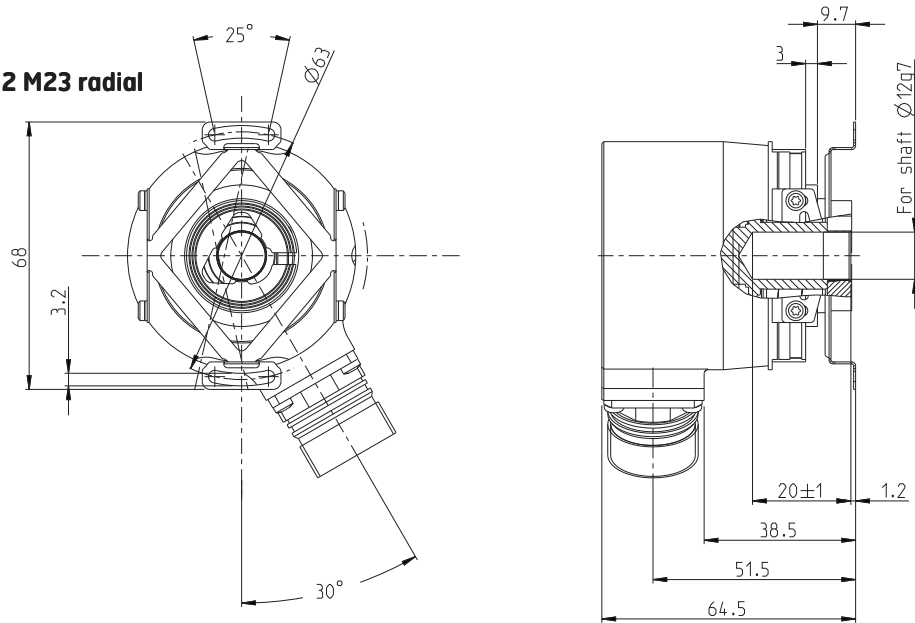
Cables and connectors	Part Number
Mating connector (17 p M23)	01209085
Mating connector with assembled cable 2 m (17p M23)	01210202
Mating connector with assembled cable, free length (17 p M23)	01209092
Torque support M6	609451-01
Torque arm M6	01208014 ⁽¹⁾

⁽¹⁾ Length 70-1000 mm available, specify when ordering. For additional accessories, please advise separate datasheet for accessories.

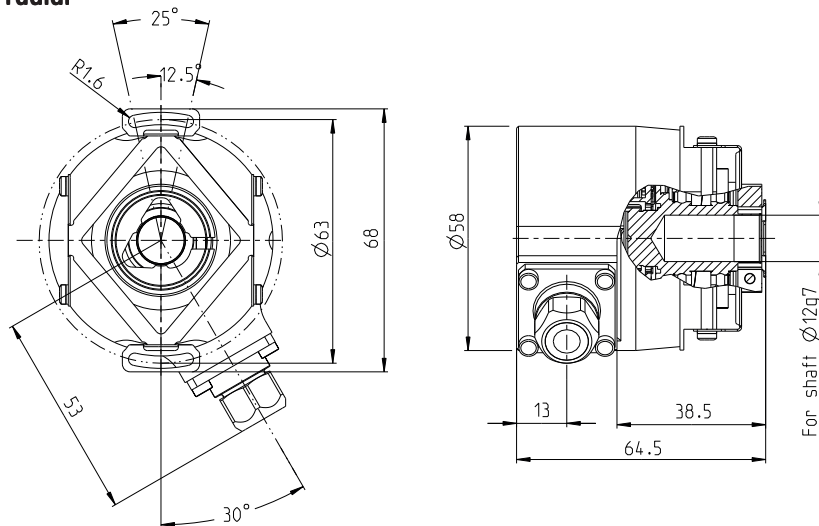


Dimensions

RHA 608 58 Ø12 M23 radial



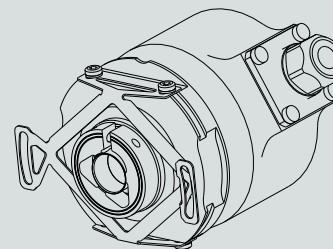
RHA 608 58 Ø12 cable radial





Various combinations/example

RHA 608 58 12 mm, radial cable



Ordering information Tick your choice

Type	RHA 608		
Flange	58, HS		
Shaft	Ø12 mm		
Electronics	Supply	9-30 Vdc	
	Absolute output	SSG (SSI Gray)	SSB (SSI Binary)
	Incremental output	HTL	RS-422
	Incremental resolution (ppr)	512	1024
Connection	Cable ⁽¹⁾	17 pin M23	
Connecting direction	Radial		
Absolute resolution	25 bit		

⁽¹⁾ Note: Please specify cable length when ordering

Ordering example: RHA 608 58 ø12hs 9-30 Vdc SSG HTL 1024 17p M23 radial 25 bit
 Assembly drawing is available upon request from Leine&Linde AB