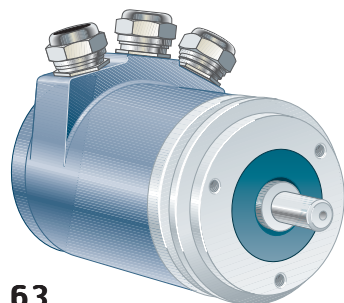
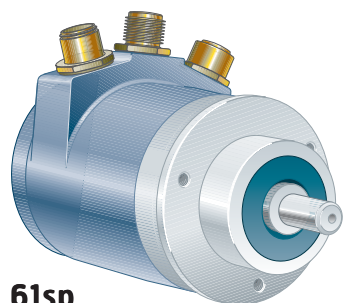


# 607/608 — Ruggedized Shaft encoder, Absolute

CANopen



63



61sp

## Short description:

- >> CANopen output - DS 301 v4.02
- >> IP 67 at housing, IP 66 at shaft inlet
- >> Support encoder profile DSP 406 v3.1
- >> Robust enclosure for harsh environments
- >> Shock and vibration protected
- >> Stainless steel options available on request

## Suitable applications:

- >> Automation industry
- >> Packaging machines
- >> Cranes
- >> Elevators

## General information

| Encoder data              |   |   |
|---------------------------|---|---|
| Operating temperature     | -40 °C .. +70 °C                                    |   |
| Ingress protection class  | IP-67 according to IEC 60529                        |   |
| At shaft inlet            | IP-66 according to IEC 60529                        |   |
| Vibration (55 to 2000 Hz) | < 100 m/s <sup>2</sup> according to IEC 60068-2-6   |   |
| Shock (6 ms)              | < 1000 m/s <sup>2</sup> according to IEC 60068-2-27 |   |
| Cover material            | Aluminium   |   |
| Weight                    | Approx. 400 g                                       |   |
| Accuracy and resolution   |   |   |
| Encoder type              | RSA 607   | RSA 608   |
| Total resolution          | 13 Bit  | 25 Bit  |
| Singleturn resolution     | 13 Bit  | 13 Bit (8192 absolute positions per revolution) |
| Multiturn resolution      |   | 12 Bit (4096 absolute number of revolutions)    |
| Accuracy                  | ± 1 LSB   |   |

## Flange option

| Flange type     | 63, Synchro | 61sp, Clamping |
|-----------------|-------------|----------------|
| Outer diameter  | ø 58 mm     | ø 58 mm        |
| Mounting holes  | 3 x M4      | 3 x M4         |
| Flange material | Aluminium   | Aluminium      |

## Shaft option

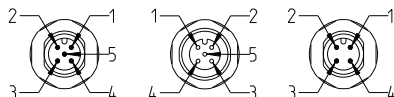
| Shaft type              | Ø 6 round                               | Ø 10 round                              |
|-------------------------|---|---|
| Axial shaft load        | 50 N                                    | 50 N                                    |
| Radial shaft load       | 60 N                                    | 60 N                                    |
| Mech. permissible speed | 12000 rpm                               | 12000 rpm                               |
| Shaft material          | Stainless steel                         | Stainless steel                         |
| Moment of inertia       | 1,9 x 10 <sup>-6</sup> kgm <sup>2</sup> | 2,0 x 10 <sup>-6</sup> kgm <sup>2</sup> |

**CANopen**  
certified  
CiA200911-301V402/20-0111

**CANopen**

# 607/608 — Ruggedized Shaft encoder, Absolute

CANopen



## Connection option

| Connector type       | Terminal Cable gland | 5 pin M12 A-coded Male | 5 pin M12 A-coded Female | 4 pin M12 A-coded Male |
|----------------------|----------------------|------------------------|--------------------------|------------------------|
| Function             | Marking              | PIN                    | PIN                      | PIN                    |
| CAN Shield           | NC                   | 1                      | 1                        | NC                     |
| CAN V+               | NC                   | NC                     | NC                       | NC                     |
| CAN GND              | G                    | 3                      | 3                        | NC                     |
| CAN_H                | H                    | 4                      | 4                        | NC                     |
| CAN_L                | L                    | 5                      | 5                        | NC                     |
| +E Volt              | +                    | NC                     | NC                       | 1                      |
| 0 Volt               | -                    | NC                     | NC                       | 3                      |
| Connecting direction |                      |                        |                          |                        |
| Radial               | Yes                  | Yes                    |                          |                        |

NC=Not connected

## Electrical option

|                         |  |
|-------------------------|--|
| <b>Power supply</b>     | <b>9-36 Vdc</b>  |
| Polarity protected      | Yes  |
| <b>Output interface</b> | <b>CANopen</b>   |
| Supported profile       | Encoder profile DSP 406 v3.1   |
| Baud rate               | Settable via switch, max. 1 Mbit/s   |
| Node address            | Settable via DIP switches, 0...99  |
| Zero-set function       | Pushbutton or CANopen object   |
| Code type               | Binary   |
| Supported functions     | Code sequence, Preset, Velocity, Scaling, Acceleration, PDO mapping, Heartbeat and Node Guarding |
| Current consumption     | 90 mA @ 24Vdc  |
| Max current consumpt.   | 150 mA @ 24Vdc   |

## Accessories

| Configuration software  |             |
|---|-------------|
| <b>CANopen</b>  |             |
| EDS-file downloadable from <a href="http://www.leinelinde.com">www.leinelinde.com</a> |             |
| Cables and connectors   |             |
| CANopen connection  | Part number |
| Cable M12 5p M-F 5 m, A-coded Straight  | 584409-01   |
| Cable M12 5p M-O 5m, A-coded Straight   | 584412-01   |
| Cable M12 5p F-O 5m, A-coded Straight   | 584417-01   |
| Connector M12 5p M, A-coded Straight  | 586293-01   |
| Connector M12 5p F, A-coded Straight  | 586299-01   |
| Terminating resistor M12 5p M, A-coded Straight                                       | 586276-01   |
| Mounting kit M16 filler plug  | 721908-01   |
| Supply connection   |             |
| Cable M12 4p F-O 5 m, A-coded Straight  | 586238-01   |
| Connector M12 4p F, A-coded Straight  | 586299-02   |

For additional accessories like mounting clamps, measuring wheels, draw wire box etc. please advise separate datasheets for accessories.

## Ordering information

| RSA 607   |   |
|-----------|---|
| 577834-01 | RSA 607 61sp ø 10 9-36 Vdc SCO Cable Radial 13bit |
| 577835-01 | RSA 607 61sp ø 10 9-36 Vdc SCO M12 Radial 13bit   |
| 577824-01 | RSA 607 63 ø 6 9-36 Vdc SCO Cable Radial 13bit    |
| 577826-01 | RSA 607 63 ø 6 9-36 Vdc SCO M12 Radial 13bit      |
| RSA 608   |   |
| 577838-01 | RSA 608 61sp ø 10 9-36 Vdc SCO Cable Radial 25bit |
| 577842-01 | RSA 608 61sp ø 10 9-36 Vdc SCO M12 Radial 25bit   |
| 577827-01 | RSA 608 63 ø 6 9-36 Vdc SCO Cable Radial 25bit    |
| 577830-01 | RSA 608 63 ø 6 9-36 Vdc SCO M12 Radial 25bit      |
| 599929-01 | RSA 608 63 ø 10 9-36 Vdc SCO Cable Radial 25bit   |
| 593919-02 | RSA 608 63 ø 10 9-36 Vdc SCO M12 Radial 25bit     |

**CANopen**

**LEINE LINDE**

ISO 9001/ISO 14001 certified

Olivehällsvägen 8, SE-64542 Strängnäs, Sweden. Phone: +46 (0)152 26500. Fax: +46 (0)152 26505. E-mail: [info@leinelinde.se](mailto:info@leinelinde.se)

[www.leinelinde.com](http://www.leinelinde.com)

# 607/608

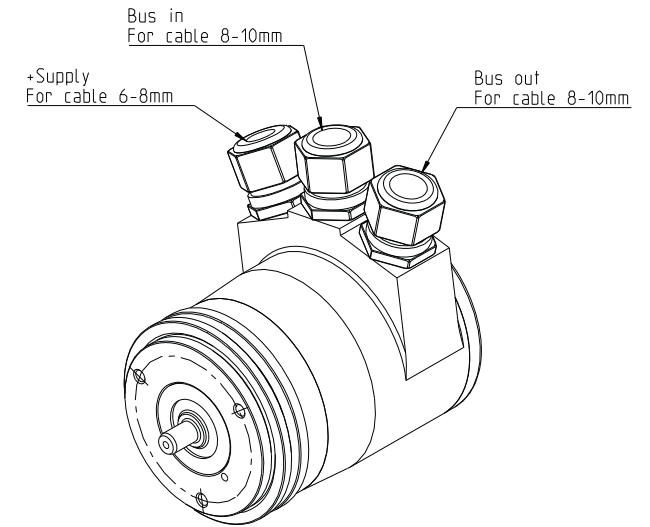
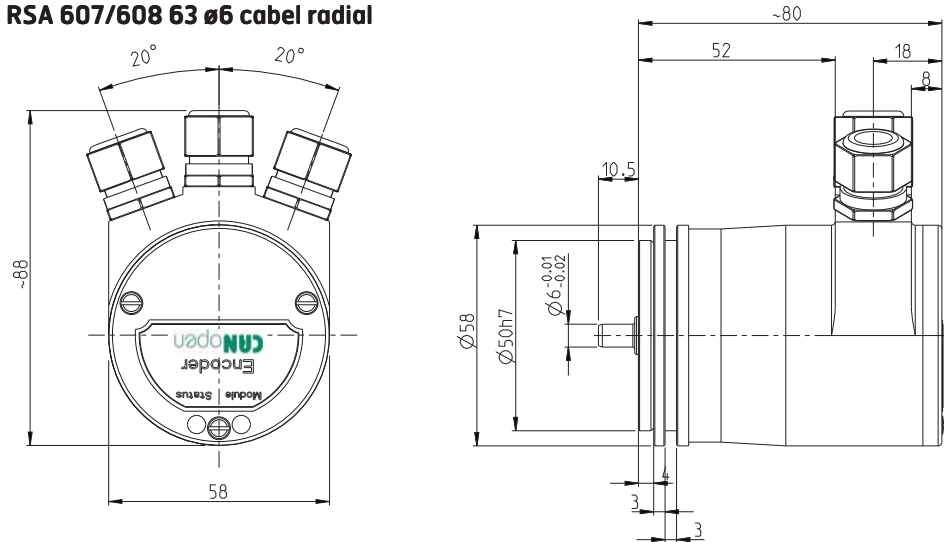
# Ruggedized Shaft encoder, Absolute

CANopen

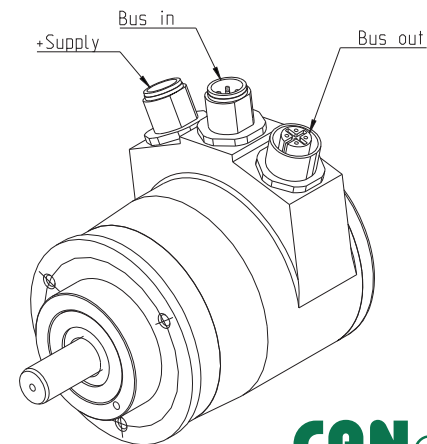
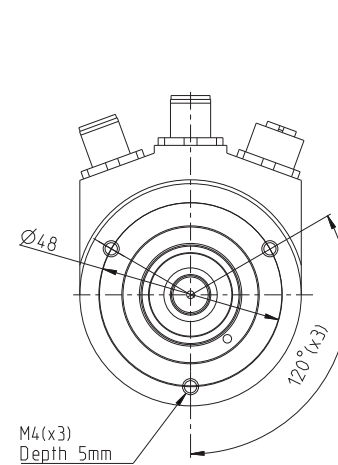
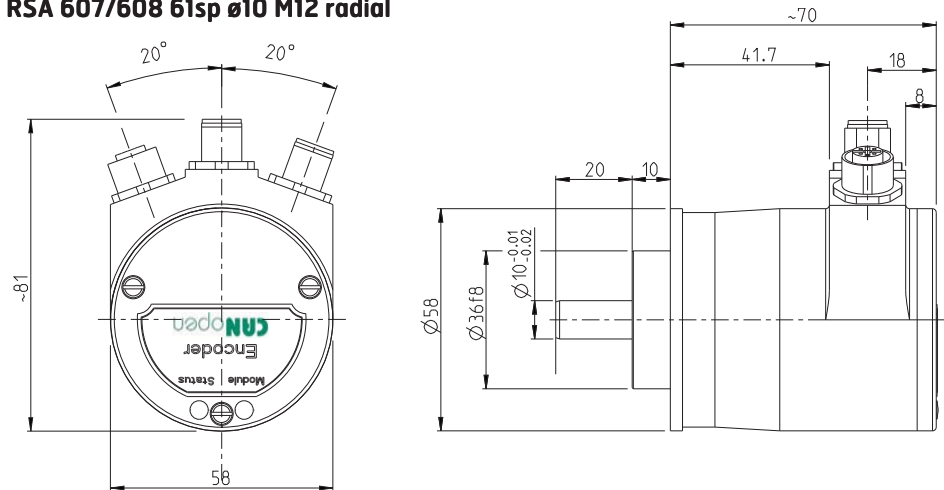


## Dimensions

### RSA 607/608 63 $\phi 6$ cabel radial



### RSA 607/608 61sp $\phi 10$ M12 radial



# 607/608 — Ruggedized Shaft encoder, Absolute

CANopen



**LEINE LINDE** ISO 9001/ISO 14001 certified

Olivehällsvägen 8, SE-64542 Strängnäs, Sweden. Phone: +46 (0)152 26500. Fax: +46 (0)152 26505. E-mail: info@leinelinde.se

**CANopen**

[www.leinelinde.com](http://www.leinelinde.com)